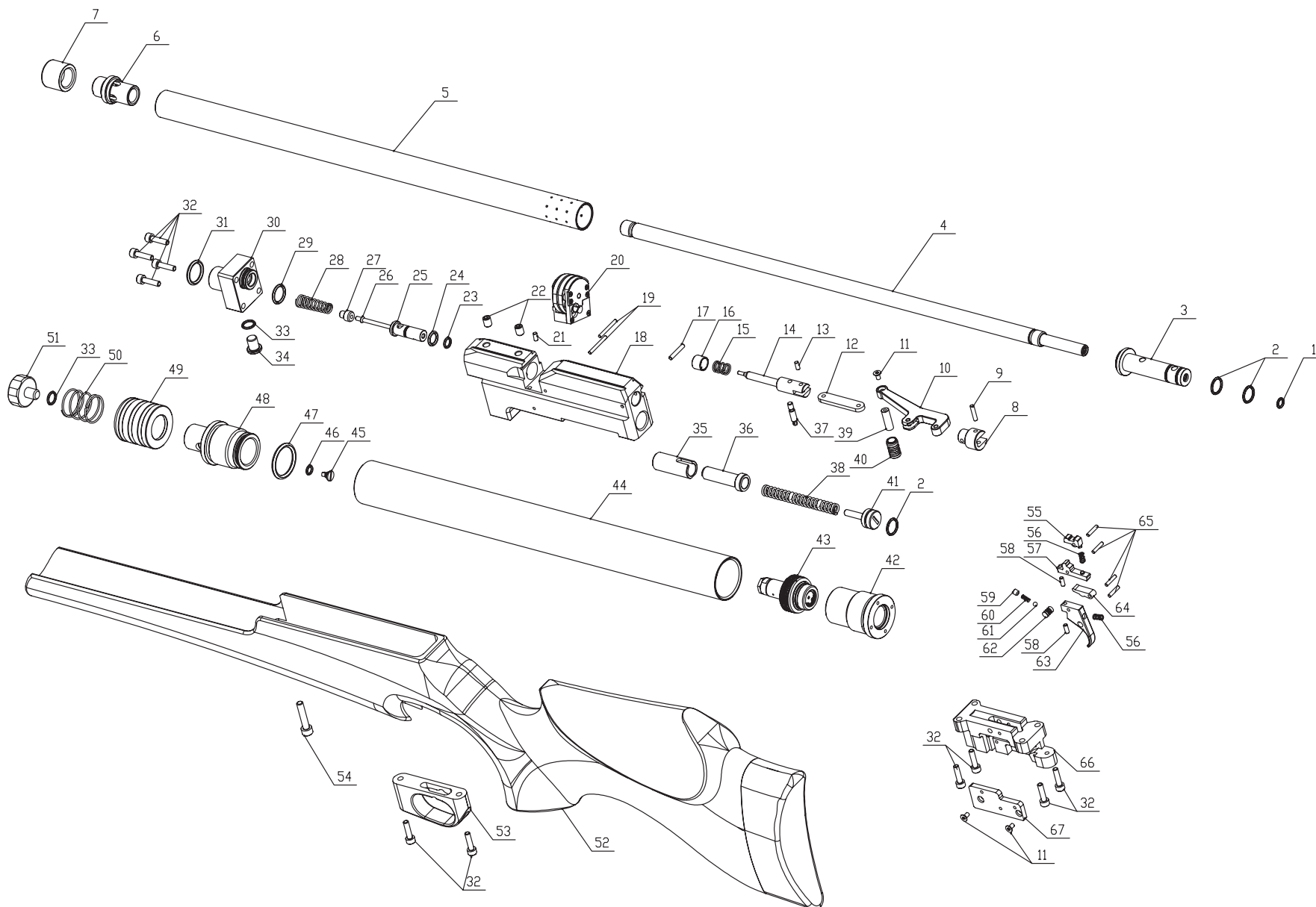


Ersatzteile | Spare Parts

outlaw



DIANA®

Mayer & Grammelspacher GmbH & Co.KG
 Postanschrift:
 Oesterweg 21 | 59469 Ense

Service:
 Auf den Geeren 23 | 59469 Ense

Telefon: 02938 97837 - 60
 Telefax: 02938 97837 - 162
 info@diana-airguns.de

www.diana-airguns.de

Technische Änderungen und Fehler vorbehalten!

Ersatzteile | Spare Parts

outlaw

POS-No.	Art-No.	Description	Qty.
1	180-001-2	Connector O-Ring D7,5-1,5	1
2	180-002	Connector O-Ring D1,4-1,5	3
3	180-003-2	Connector 4,5mm	1
4	180-004-2	Barrel 4,5mm	1
5	180-005	Barrel Sleeve	1
6	180-006	Barrel Front Connector	1
7	180-007	Connector Cover	1
8	180-008	Bolt Fixing Block	1
9	180-009	Bolt Fixing Block Pin D3-14	1
10	180-010	Bolt	1
11	180-011	Trigger Base Screw M3x6	3
12	180-012	Pulling Plate	1
13	180-013	Breech Probe pin D3-8,8	1
14	180-014-2	Breech Probe 4,5mm	1
15	180-015	Breech Probe Spring	1
16	180-016-2	Breech Probe Sleeve 4,5mm	1
17	180-017	Breech Rear Pin D3-18	1
18	180-018	Breech	1
19	180-019	Breech Front Pin D2,5-22	2
20	180-020-2	Magazine Assembly 4,5mm	1
21	180-021	Magnet	1
22	180-022	Breech Fixing Screw M6x8	2
23	180-023	Valve O-Ring D9-15	1
24	180-024	Valve O-Ring D12-19	1
25	180-025	Valve	1
26	180-026	Valve Needle	1
27	180-027	Valve	1
28	180-028	Valve Spring	1
29	180-029	Connector O-Ring D16-1,9	1
30	180-030	Connector	1
31	180-031	Connector O-Ring D20-2,4	1
32	180-032	Connector Screw M4x16	10
33	180-033	O-Ring D11-15	2
34	180-034	Plug	1

POS-No.	Art-No.	Description	Qty.
35	180-035	Hammer Sleeve	1
36	180-036	Hammer	1
37	180-037	Breech Probe Pin	1
38		Hammer Spring	1
39	180-039	Bolt Pin	1
40	180-040	Bolt Pin Sleeve	1
41	180-041	Regulating Bolt	1
42	180-042	Valve Connector	1
43	180-043	Constant Valve Assembly	1
44	180-044	Cylinder	1
45	180-045	Intake Valve Screw	1
46	180-046	Valve O-Ring D8-1,5	1
47	180-047	valve O-Ring D29-3	1
48	180-048	Intake Valve Base	1
49	180-049	Valve Sleeve	1
50	180-050	Valve Sleeve Spring	1
51	180-051	Pressure Gauge	1
52	180-052	Wood Stock	1
53	180-053	Trigger Guard	1
54	180-054	Wood Stock Screw M5x25	1
55	180-055	Sear	1
56	180-056	Sear Spring	2
57	180-057	Sear Lever	1
58	180-058	Trigger Bottom Screw M3x10	2
59	180-059	Trigger Screw M4x4	1
60	180-060	Safety Spring	1
61	180-061	Detent Ball D3.175	1
62	180-062	Safety	1
63	180-063	Trigger	1
64	180-064	Connecting Block	1
65	180-065	Trigger Base Pin D2,5-12,5	4
66	180-066	Trigger Base	1
67	180-067	Base Plate	1