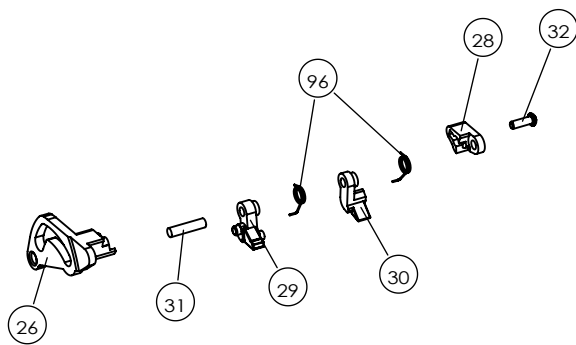
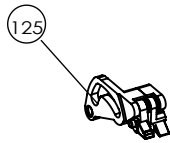


SIG SAUER X-Five

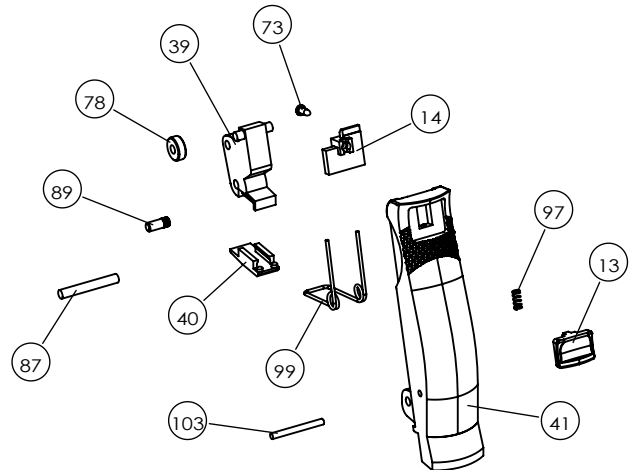
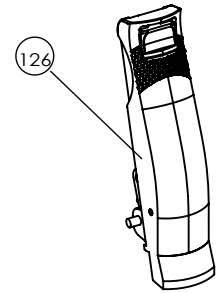
125. Nail Assembly

No.	Name of Parts
26	Nail Arm A
28	Nail Arm B
29	Nail
30	Clip Stopper
31	Nail Pin
32	Common Screw B
96	Common Spring A



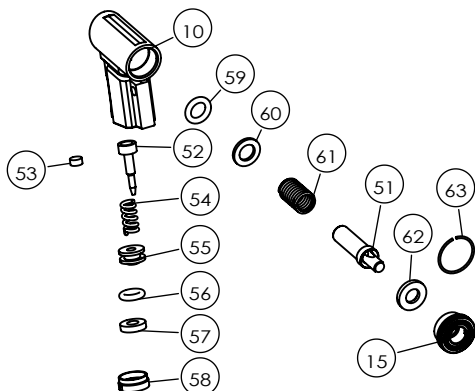
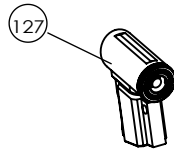
126. Back Grip Assembly

No.	Name of Parts
13	Grip Switch
14	Grip Switch Nail
39	Puncture Clamp
40	Puncture Clamp Bottom
41	Back Grip
73	Grip Switch Nail Screw
78	Clamp Roller
87	Puncture Clamp Pin
89	Clamp Roller Pin
97	Grip Switch Spring
99	Puncture Clamp Spring
103	Puncture Clamp Spring Pin



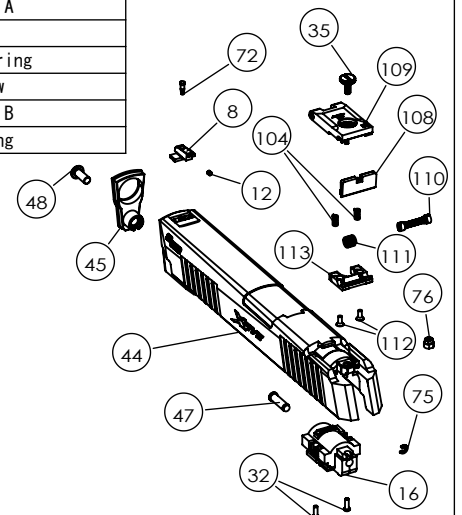
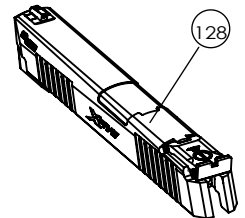
127. Valve Assembly

No.	Name of Parts
10	Valve Body
15	Valve Cap
51	Valve Pin
52	Pierce Pin
53	Filter
54	Pierce Spring
55	Pierce Ring
56	O-Ring P-5 Urethane
57	Pierce Seal
58	Pierce Cap
59	O-ring P-6 Urethane
60	Valve Washer
61	Valve Spring
62	Valve Seal
63	Piston Ring



128. Slide Assembly

No.	Name of Parts
8	Front Sight
16	Cylinder Block
32	Common Screw B
35	Rear Sight Elevation Dial
44	Slide
45	Barrel Bushing
47	Hit Pin
48	Barrel Bushing Screw
72	Front Sight Pin
75	E-ring ETW-2
76	Rear Sight Nut
12	White Dot
108	Rear Sight leaf
109	Rear Sight Base A
110	Windage Dial
111	Windage Dial Spring
112	Rear Sight Screw
113	Rear Sight Base B
104	Rear Sight Spring



SIG SAUER X-Five

129. Magazine Assembly

No.	Name of Parts
114	Magazine Front Cover
115	Magazine Rear Cover A
116	Magazine Rear Cover B
117	Clip Click
118	Clip Click Spring
119	Magnet
120	Clip Piece
121	Clip Joint
122	Magazine Bumper
123	Magazine Rear Cover A Pin
124	Magazine Rear Cover B Pin
106	Magazine Screw

